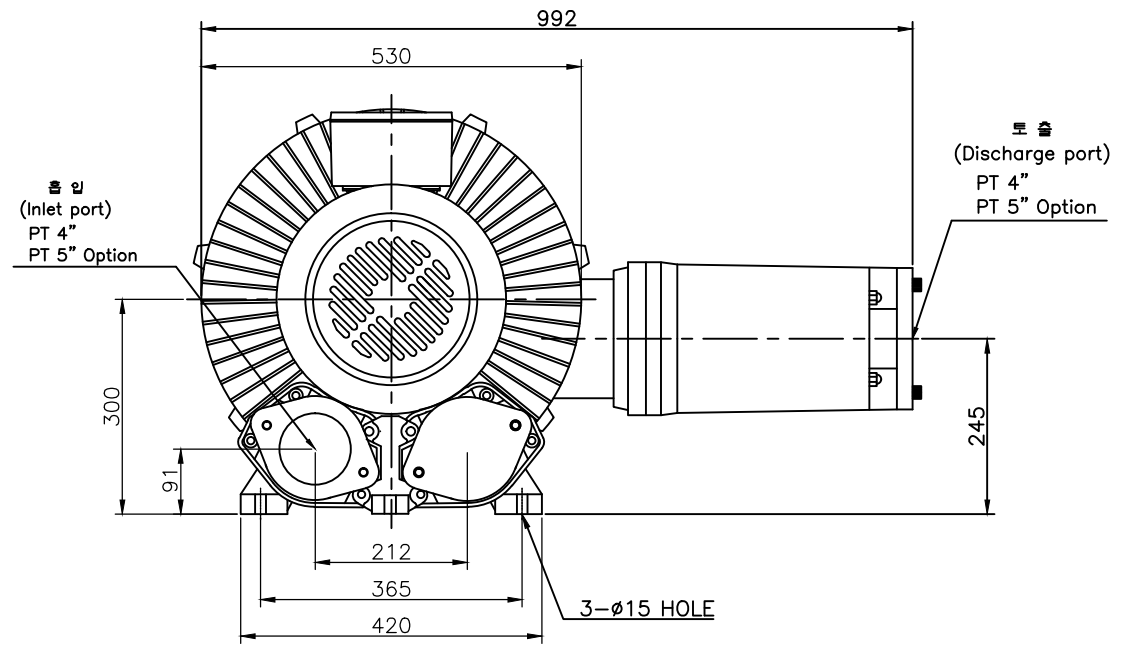
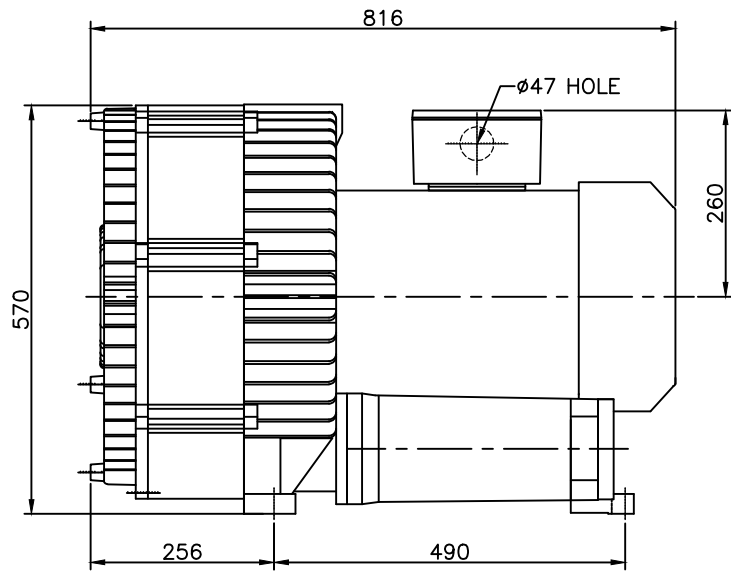


NOTE 1)



| | | | | | | | | | | | | |
|----------------------------|------------|---------|----------|---------------|--------------|---------|------|-------|-------|--|--|--|
| △ | | | | | | | 00 | | | | | |
| No. | Revision | | | | | Date | Draw | Check | Appr. | | | |
| 형식 TYPE | HRB-1502MH | | | 도명 TITLE | OUTWARD DWG. | | | | | | | |
| DRAWN | DESIGN | CHECKED | APPROVED | 3RD ANGLE | SCALE:1/1 | UNIT:mm | | | | | | |
| B.S.Kim | | | | SIZE | 3Ø 2P 25.8Kw | | | | | | | |
| 13.04.22 | | | | | | | | | | | | |
| 黃海電機 HWANG HAE ELECTRIC | | | | 도번 DWG. No | BOD00255 | | △ | | | | | |