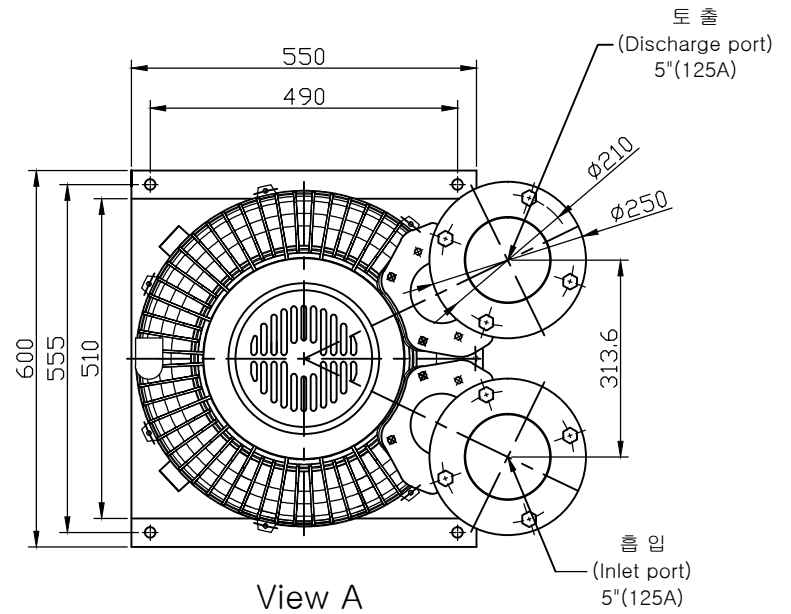
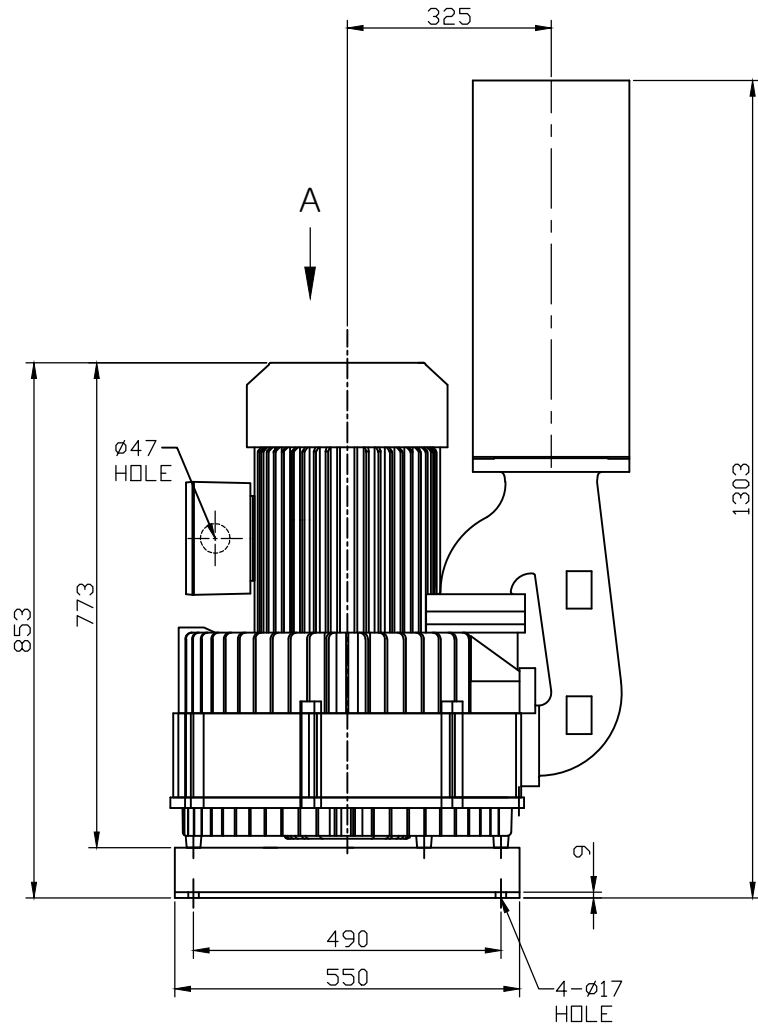


NOTE 1)



View A

△					00					
No.	Revision				Date	Draw	Check	Appr.		
형식 TYPE	HRB-1503MH			도명 TITLE	OUTWARD DWG.					
DRAWN	DESIGN	CHECKED	APPROVED	3RD ANGLE	SCALE:1/1	UNIT:mm				
B.S.Kim				SIZE						
11.05.11										
黃海電機 HWANG HAE ELECTRIC				도번 DWG. No	BOD00220					